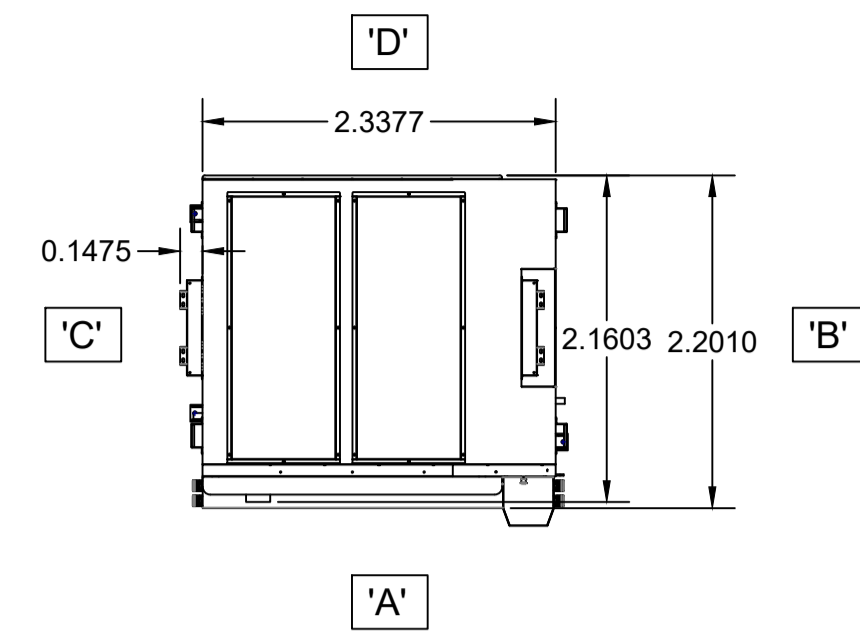
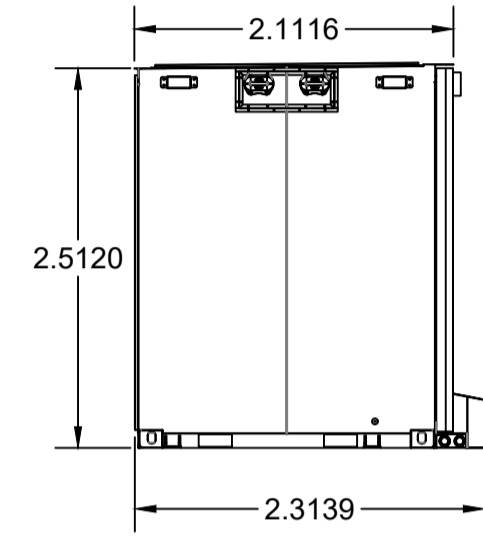


1. THIS DRAWING TO BE READ IN CONJUNCTION WITH ALL RELEVANT ENGINEERS AND SPECIALISTS DRAWINGS & SPECIFICATIONS.
2. ANY DISCREPANCIES BETWEEN THIS DRAWING AND ANY OTHER TO BE REPORTED TO THE ENGINEER IMMEDIATELY.
3. ALL WORKS TO COMPLY WITH THE MOST CURRENT BRITISH STANDARDS.
4. ALL DIMENSIONS IN MILLIMETERS UNLESS STATED OTHERWISE. NO DIMENSIONS ARE TO BE SCALED OFF THE DRAWING. USE FIGURED DIMENSIONS ONLY.
5. ALL DIMENSIONS TO BE $\pm 3\text{mm}$ UNLESS SPECIFIED OTHERWISE.
6. A RECESSIVE COLOUR SUCH AS GREY IS PROPOSED, BUT CAN BE AGREED WITH OFFICERS.

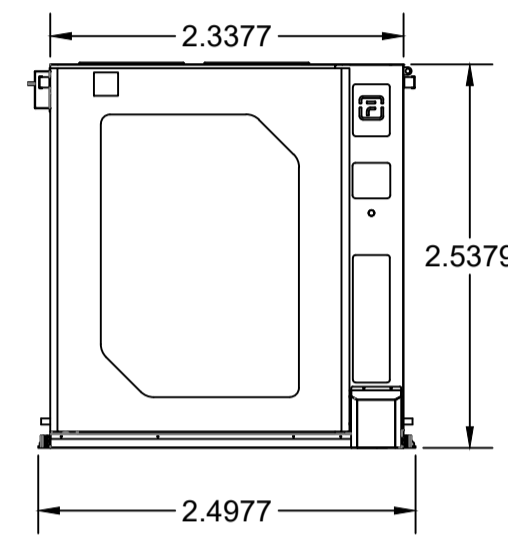


BESS UNIT FLUENCE CUBE

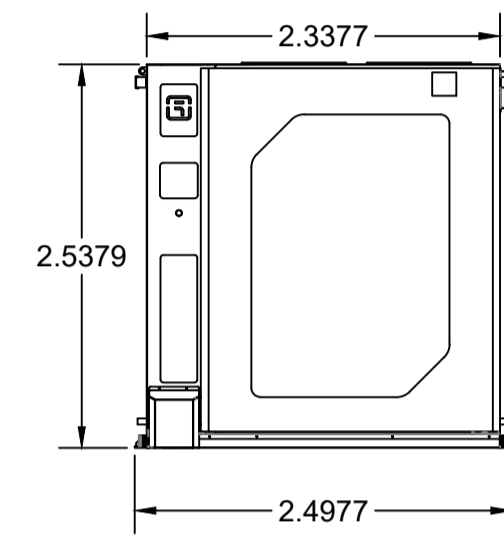
PLAN VIEW



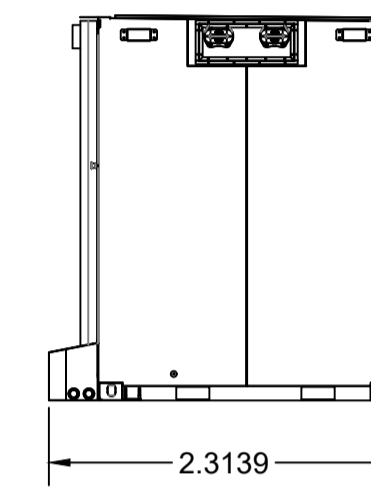
SIDE ELEVATION 'C'



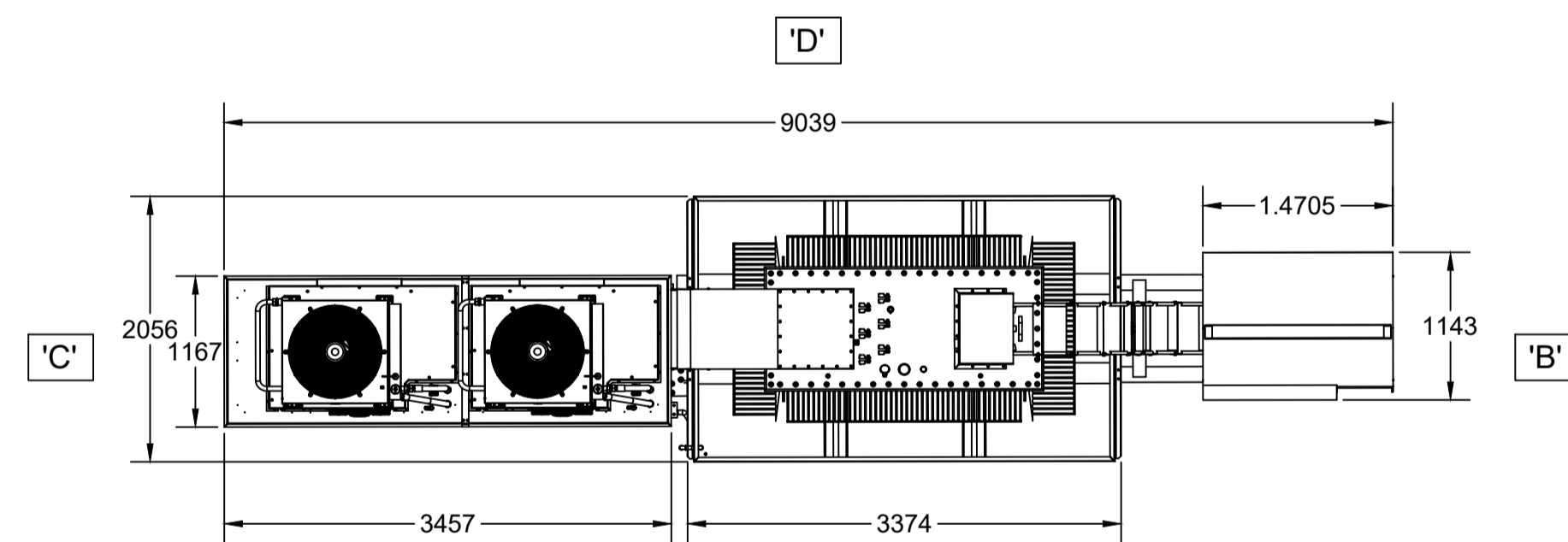
FRONT ELEVATION 'A'



REAR ELEVATION 'D'

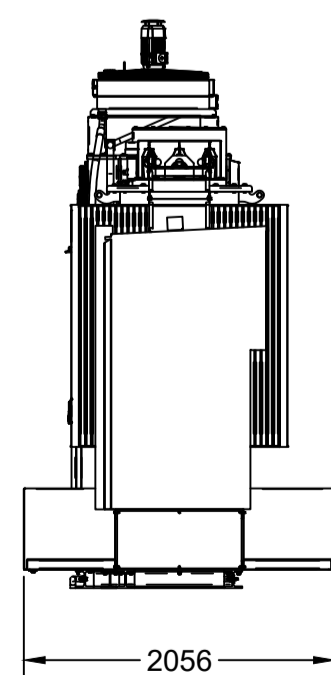


SIDE ELEVATION 'B'

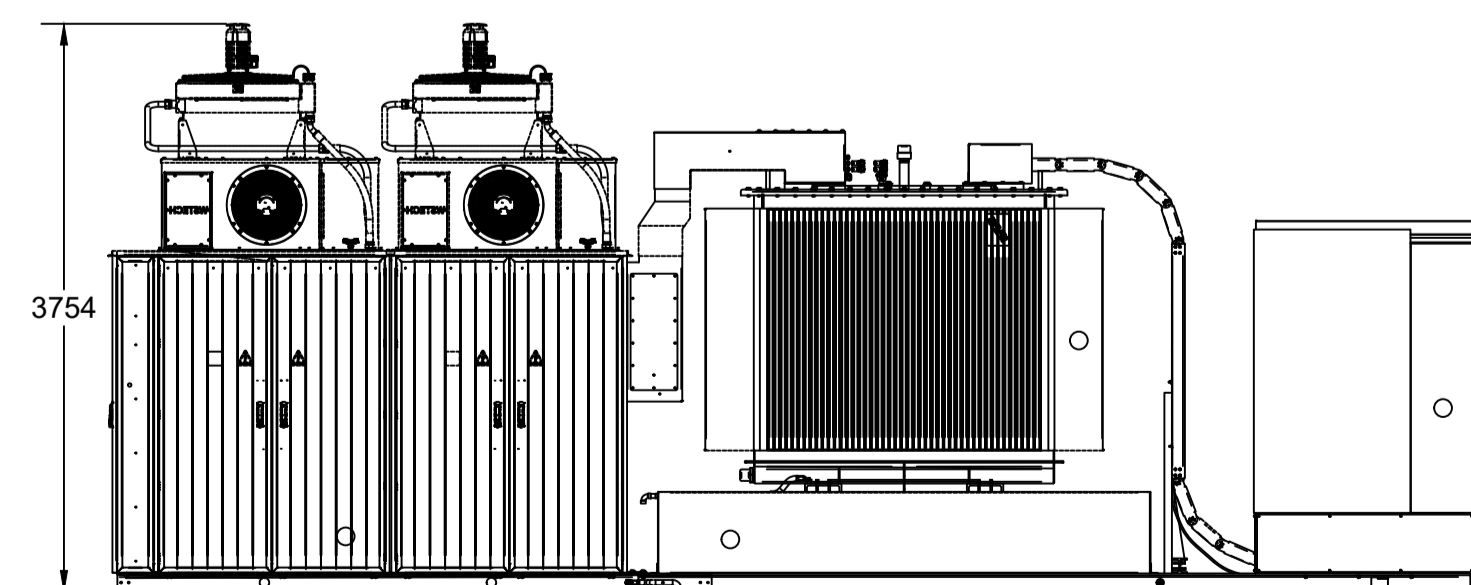


MV SKID SOLUTION - INVERTER + TRANSFORMER

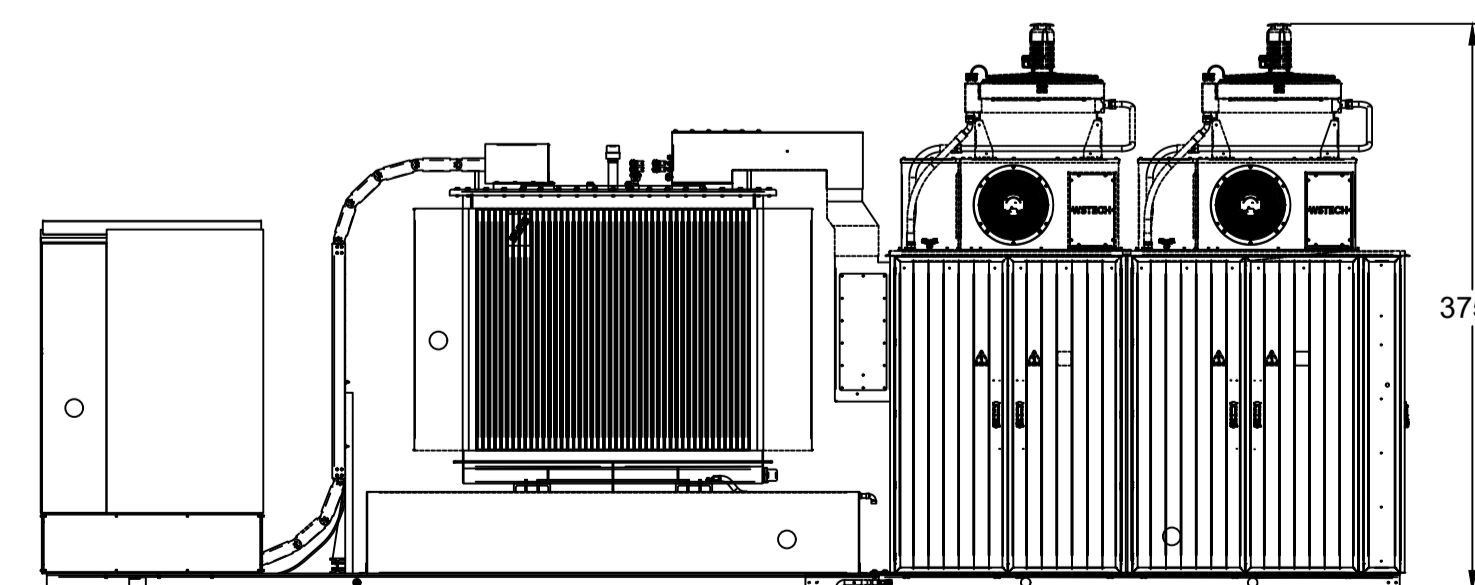
PLAN VIEW



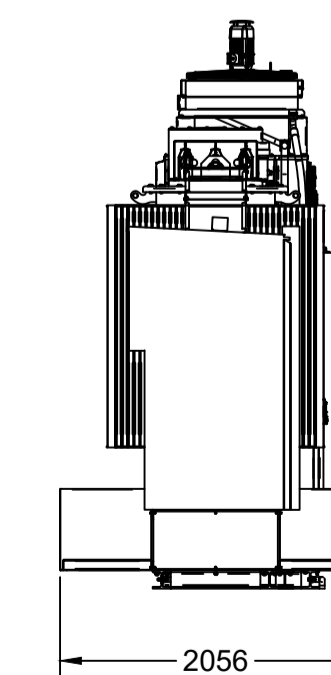
SIDE ELEVATION 'C'



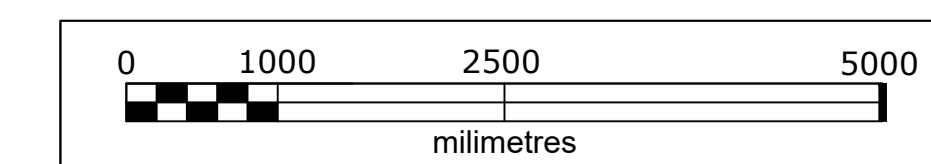
FRONT ELEVATION 'A'



REAR ELEVATION 'D'



SIDE ELEVATION 'B'



Project: Lower Coalmoor BESS			
Drawing name: Plan and Elevations of BESS Units and MV SKID Solution			
88-10-16-P-PL-EQ-03	Drawn:	REN	
R.01	Rear elevations added	07.09.2023	
R.00	First Issue	11.08.2023	
Revision	Description	Date	
Discipline:	Electrical	Phase:	FOR PLANNING
Format:	A1	Scale:	1:50
Sheet no:	01 / 01		
Client: RE Project Development Limited			

RENERGY
engineering

RENERGY LTD
28 E Samokov str.
1113 Sofia, Bulgaria
info@renergy-bg.com
www.renergy-bg.com

This drawing may not be reproduced or be made available to third person or competing companies without Reenergy permission. The reproduction, distribution and utilization of this document as well as the communication of its contents without explicit authorization is prohibited. Offenders will be held liable and can fines up to 50% of the project cost. variations in design can occur at site conditions.